

SW-2

SNOW MACHINE

Item ref: 160.565UK

User Manual



Caution: Please read this manual carefully before operating
Damage caused by misuse is not covered by the warranty

Introduction

Thank you for choosing the SW-2 DMX snow machine for stage and events special effects. This product is designed to produce high volume snow output on demand for festive and themed events. Please read these instructions in full to gain the best results from this item and avoid damage to the unit through misuse.

Unpacking

Your SW-2 should reach you in good condition and should be supplied with IEC mains lead(s) and a wired remote control.

If there are any signs of damage or items missing from the packaging, contact your dealer immediately.

Warning

To prevent risk of fire or electric shock, do not expose electrical parts to rain or moisture.

If liquids are spilled on areas other than the fluid tank or nozzle, disconnect the mains, allow the SW-2 to dry out and have it checked by qualified personnel before further use.

Avoid any impact, dropping or extreme pressure to the housing.

No user serviceable parts inside - do not open the case.

Allow the SW-2 to acclimatize to room temperature before operating.

Refer all servicing to qualified service personnel.

Placement

The SW-2 has a built-in snow fluid container and should be operated in an upright position.

If free-standing, ensure that the SW-2 is positioned on a stable, non-slip surface.

If mounted at height, use the integral mounting bracket and attach a safety cable for added security.

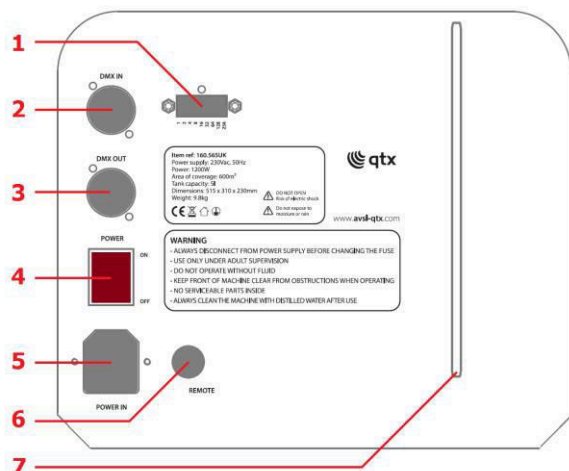
Safety

- Check for correct mains voltage and condition of IEC lead before connecting to power outlet
- Check the condition of the remote lead and ensure that it is not trapped
- This unit must be earthed
- This unit produces a snow effect using foam, which may cause a slip hazard on some floor surfaces

Cleaning

- Use a soft dry or slightly damp to clean the casing
- Do not use strong solvents for cleaning the unit
- Clean the foam mechanism periodically by operating with distilled water instead of snow fluid

Rear Panel



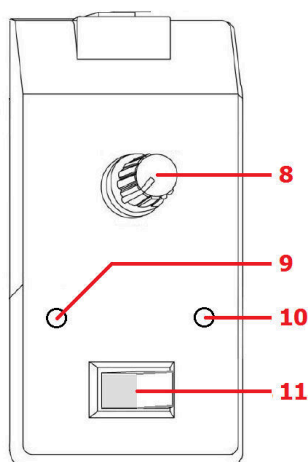
1. DIP switches for DMX address setting
2. DMX input (3-pin XLRM)
3. DMX output (3-pin XLRF)
4. Power on/off rocker switch
5. Mains inlet (IEC male) and fuse holder
6. Remote control connection (5-pin DIN)
7. Fluid level indicator

Setting up

The SW-2 requires snow fluid, which forms small foam drops to create the snow effect. It is recommended to use qtx snow fluid for best results (160.578, 160.579) A chart for recommended fluids is included further along in this document.

- Unscrew the top cap of the fluid tank (removable) and fill with the selected snow fluid
- The SW-2 can accommodate a complete 5 litre snow fluid refill if preferred
- Replace the cap and close securely, ensuring the pipe is fed down to the bottom of the bottle so that a consistent flow of fluid is supplied to the machine
- Connect the remote control to the 5-pin DIN connector on the rear panel (6)
- Connect the IEC mains lead supplied to the rear mains inlet (5)

Remote control operation



8. Snow output control – adjusts the amount of fluid delivered by the pump
9. Snow effect indicator – illuminates when effect is activated
10. Power indicator – illuminates when mains power is switched on
11. Snow effect on/off rocker switch – switches the fan on or off

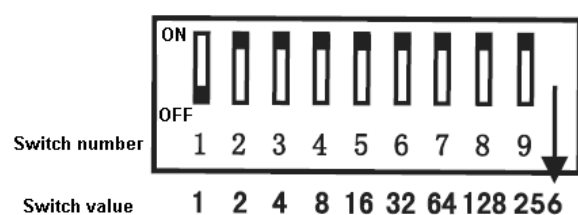
- Make sure that the remote control rocker switch (11) is set to the "off" position at startup
- Switch the mains power on (4) at the rear of the unit And the power indicator (10) will light
- Set the output control (8) to the lowest setting and switch the rocker switch on
- The snow effect indicator (9) will light to show that the fan is active
- Adjust the output control to the required density of snow pumped into the nozzle when active

- Switch the rocker switch off to stop the fan and thus stop the effect

DMX operation

For DMX operation, a single channel controls both the fan and snow output pump.

- Connect DMX input from a controller or prior device to the XLRM connector (2) on the rear panel
- Connect further DMX devices from the XLRM connector (3) on the rear panel
- Set the DMX address (single channel) using the DIP switches (1) in binary format as shown below
-



DMX Address	DIP Switches								
	1	2	4	8	16	32	64	128	256
1	1	0	0	0	0	0	0	0	0
2	0	1	0	0	0	0	0	0	0
3	1	1	0	0	0	0	0	0	0
...
410	0	1	0	1	1	0	0	1	1

DMX control values operate the snow machine as follows.

Value	Fan	Fluid pump
0 - 5	Fan off	and no snow output
6 - 255	Fan on	and snow output

When in use for long periods, periodically check the fluid level indicator and refill if necessary. Check that the foam produced does not cause a slip hazard on the floor surface and clean if necessary. Switch of mains power when not in use. Disconnect from mains before moving or storage.

Specifications

Power supply	220-240Vac, 50/60Hz (IEC)
Tank capacity	5 litre
Power	1200W
Volume per minute	50m ³
Remote control	Wired remote (on/off & output volume)
DMX channels	1 channel (fan on/off & output 1 - 100%)
Dimensions	320 x 300 x 525mm
Weight	7.6kg

Troubleshooting

No light on mains switch	Check mains voltage is correct and socket is switched on
	Check IEC lead is OK and connected properly
	Check mains fuse in IEC connector and fuse in plug top

	If fuse blowing repeatedly, refer to qualified service personnel
No power light on remote	Check remote control is connected properly
No snow output when using remote control	Check snow fluid level
	Check that rocker switch is on and output control is turned up
	Check that nozzle cloth is not blocked and clean with water if necessary
No snow output when using DMX control	Check that DMX lead is connected properly and correct start address is set
	Ensure that a value between 6 and 255 is being transmitted on the channel




Disposal: The "Crossed Wheelie Bin" symbol on the product means that the product is classed as Electrical or Electronic equipment and should not be disposed with other household or commercial waste at the end of its useful life. The goods must be disposed of according to your local council guidelines

Errors and omissions excepted.

Copyright© 2021 AVSL Group Ltd, Unit 2 Bridgewater Park,
Taylor Road, Trafford Park, Manchester. M41 7JQ.

AVSL (Europe) Ltd, Unit 3D North Point House,
North Point Bus. Park, New Mallow Road, Cork, Ireland.

Effects Fluid Chart

							
<u>Bubble Fluid</u>							
Stock Code	Volume	Description	Results			For use with	
160.574UK	1 Litre	Bubble fluid	Light, long-lasting bubbles			160.462UK, 160.560UK	
160.575UK	5 Litre					160.562UK, 160.563UK	
160.576UK	1 Litre	UV bubble fluid	Light bubbles which glow in UV light			160.564UK	
160.577UK	5 Litre						
<u>Snow Fluid</u>							
Stock Code	Volume	Description	Results			For use with	
160.578UK	1 Litre	Snow fluid	High quality snow fluid. Lasts 30% longer than other standard fluids			160.565UK, 160.569UK	
160.579UK	5 Litre						
<u>Fog Fluid</u>							
Stock Code	Volume	Description	Colour	Results		For use with	
160.643UK	1 Litre	Standard fog fluid	Yellow	Dispersion	Stability	Fog colour	160.452UK, 160.453UK, 160.461UK or any machine up to 900W
160.582UK	5 Litre			Quick	Low	White	
160.587UK	1 Litre	High grade fog fluid	Orange	Slow	Good	White	160.455UK, 160.456UK, 160.457UK or any machine 1000-1500W
160.588UK	5 Litre			Slow	Good	Thick white	
160.644UK	1 Litre	High quality fog fluid	Pink	Slow	Good	Opaque White	160.447UK All fog machines
160.583UK	5 Litre	Premium fog fluid	Clear	Slow	Excellent	Opaque White	
160.589UK	5 Litre	Low level fog fluid	Clear	Slow	Excellent	Opaque White	
160.592UK	1 Litre			Slow	Extends life of your fog machine		
160.593UK	5 Litre	Fog machine cleaner	Clear				
160.670UK	20ml						
<u>Haze</u>							
Stock Code	Volume	Description	Colour	Results		For use with	
160.590UK	1 Litre	High quality haze fluid	Clear	Dispersion	Stability	Haze colour	160.458UK, 160.459UK 160.462UK, 160.465UK
160.591UK	5 Litre			Slow	Good	Thick white	